

# Century Lens Accessories for Sony HVR-V1U & HDR-FX7



Century's Pro Series HD offers quality professional lens accessories designed to help you go wider, reach further, and move in closer than the lens on your HDV Handycam® alone allows. Century's superb optics provide the finest professional images. These state-of-the-art add-ons minimize chromatic aberrations and unwanted distortion and produce images that are ultrasharp edge-to-edge. Featuring a bayonet mount, Century's accessories interface directly with the bayonet mount at the front of the lens so mounting and removing is quick and easy.

### .55X HD Wide Angle Adapter



OHD-55WA-SH6

Lightweight and cost-effective, the .55X Wide Angle Adapter increases coverage by 45%. This add-on is ideal for shooting situations in which full zoom isn't needed. The .55X Wide Angle Adapter offers a much wider angle of view with very low distortion. Partial zoom only.

### .65X HD Wide Angle Converter



OHD-65CV-SH6

The right tool for shooting situations that require both a wider angle of view & full zooming capabilities. This professional add-on lens produces crisp, high resolution images with low distortion, and superior contrast edge to edge. The .65X HD Wide Angle Converter attaches to the front of the lens for 35% more coverage when set to wide angle, telephoto or anywhere in between.

### Fisheye HD Adapter



OHD-FEAD-SH6

Add the Fisheye for a wider angle of view & a remarkable degree of barrel distortion with no vignetting. The Fisheye exaggerates depth, pulling nearby objects closer and causing distant objects to recede into the background. It allows for partial zoom thru.

### .3X HD Ultra Fisheye Adapter



OHD-FE3X-SH6

The .3X Ultra Fisheye Adapter offers the widest angle of view & eye-popping distortion with superior edge-to-edge resolution. With its unmistakable style, this adapter is a must for extreme sports shooters.

### 1.6X HD Tele-Converter



OHD-16TC-SH6

Expand your zoom lens' reach without light loss. The 1.6X Tele-Converter is a front-mounted accessory that also provides greater telephoto reach. Use it to instantly shift the focal length range of your camera in the telephoto direction. The perfect tool when it's inconvenient, dangerous or impossible to move as close to the subject as you'd like.

### 2.0X HD Tele-Converter\*



OHD-20TC-SH6

Extend the reach of your zoom even further without exposure loss. The 2.0X Tele-Converter is a front-mounted accessory that also provides greater telephoto reach. Use it to instantly shift the focal length range of your camera in the telephoto direction.

\*Support recommended.

### Achromatic Diopters

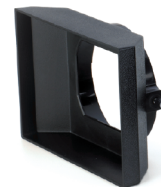


OAD-7220, OAD-7235

For maximum magnification and image clarity, these Macro Zoom Attachments offer more close-up range, while preserving zoom capability. Ideal for focusing tightly on small objects in tabletop, miniature, and flat field work. In +2.0 and +3.5 strengths. Stackable for even greater magnification. Step-up ring is required.

### Compact Rectangular Sunshade

Lightweight 90mm clamp-on sunshade designed for use with .55X and .65X wide angle attachments.



OVS-CS90-00

### DV Matte Box MKII 4x4 Filter System

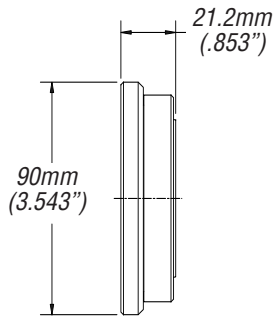
Compact and Wide Angle DV Matte Box MKII Systems for Sony camcorders. Compatible with Century lenses. Choose cine-style support rails or clamp-on features.



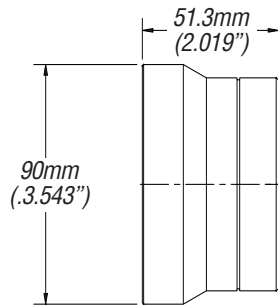
## Century Add-ons for Sony HVR-V1U & HDR-FX7

Description	Focal Length	Aperture	Horiz. Angle of View	35mm Still Equivalent	Comments
<b>ORIGINAL LENS</b> 20X	3.9-78mm	f/1.6	50° -2.6°	37.4-748mm	
<b>OHD-55WA-SH6</b> .55X HD Wide Angle Adapter Sony Bayonet Mount	2.15-21.5mm	f/1.6	80.6° - 9.7°	21-212mm	Partial Zoom in auto focus only
<b>OHD-65CV-SH6</b> .65X HD Wide Angle Converter Sony Bayonet Mount	2.54-50.70mm	f/1.6	71.4° - 4°	25 -500mm	Full zoom capability
<b>OHD-FEAD-SH6</b> Fisheye HD Adapter Sony Bayonet Mount	2mm	f/1.6	85°	20mm	Partial Zoom in auto focus only
<b>OHD-FE3X-SH6</b> .3X HD Ultra Fisheye Adapter Sony Bayonet Mount	1.17mm Aprox	f/1.6	114.6°	11.5mm	Partial Zoom in auto focus only
<b>OHD-16TC-SH6</b> 1.6X HD Tele-Converter Sony Bayonet Mount	16-124mm	f/1.6	13-1.6°	158-1223mm	Partial zoom, vignettes @ wide angles
<b>OHD-20TC-SH6</b> 2.0X HD Tele-Converter Sony Bayonet Mount	36-156mm	f/1.6	6°-1.3°	355-1539mm	Partial zoom, vignettes @ wide angles
<b>OAD-7220-00*</b> + 2.0 Achromatic Diopter	N/A	f/1.6	N/A	N/A	Full zoom capability
<b>OAD-7235-00*</b> + 3.5 Achromatic Diopter	N/A	f/1.6	N/A	N/A	Full zoom capability

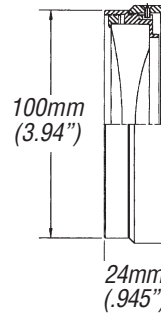
\*Requires 62 to 72mm Step-up Ring Stock Code OFA-6272-00



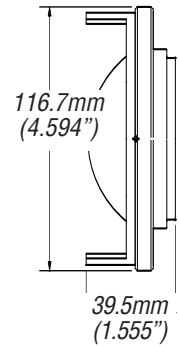
*.55X Wide Angle Adapter*  
5.5oz (156g)  
(86 mm filter thread)



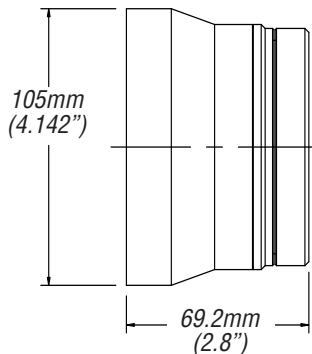
*.65X Wide Angle Converter*  
13.5oz (383g)  
(86 mm filter thread)



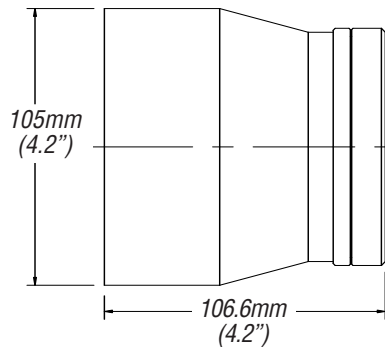
*Fisheye Adapter*  
7.6oz (213g)



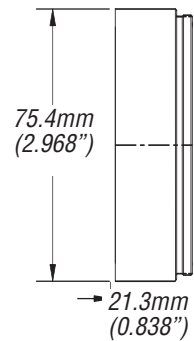
*.3X Ultra Fisheye*  
18oz (510g)



*1.6X Tele-Converter*  
26oz (731g)  
(102mm filter thread)



*2.0X Tele-Converter*  
47oz (1.3kg)  
(102mm filter thread)



*Achromatic Diopter*  
5.6oz (159g)  
(72mm filter thread)

1-800-228-1254

**Schneider OPTICS**  
*It Starts with the Glass™*

West Coast • 7701 Haskell Ave. • Van Nuys, CA 91406 • Tel: 818-766-3715 • Fax: 818-505-9865  
East Coast • 285 Oser Ave • Hauppauge, NY 11788 • Tel: 631-761-5000 • Fax: 631-761-5090

Printed in USA. CP\_SonyHVR\_V1U\_HDR\_FX7 04.01.07 GCA 1k